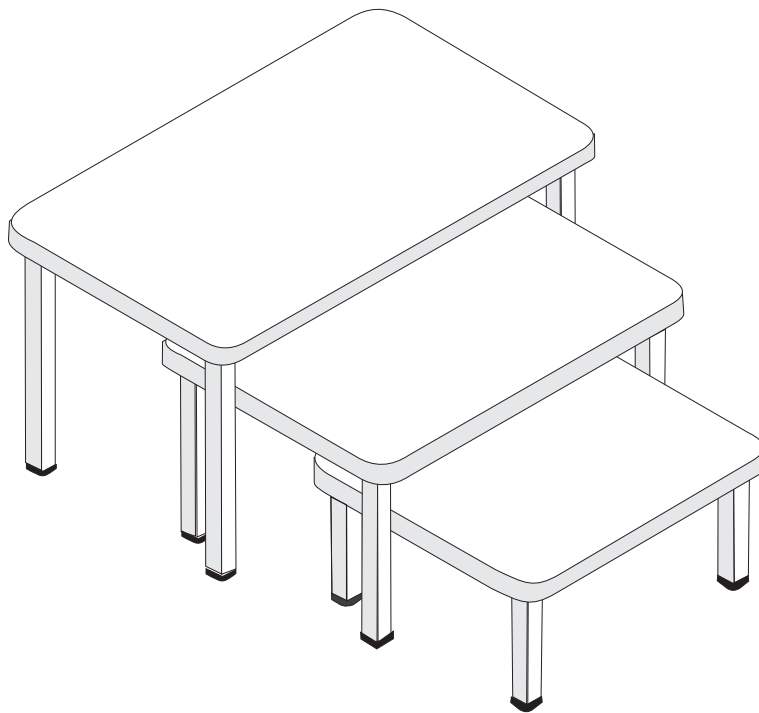


Code
W15121



SET WITH 03 BENCHES



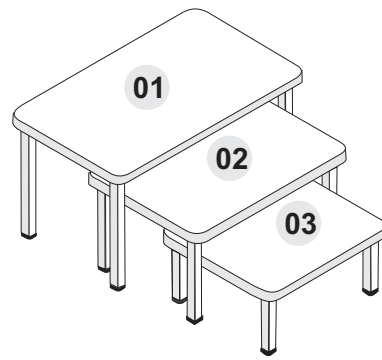
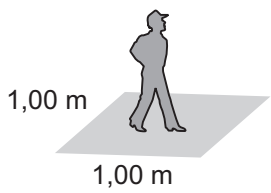
INTERNATIONAL DISTRIBUTOR

3B Scientific GmbH, Hamburg

Rudorffweg 8

21031 Hamburg

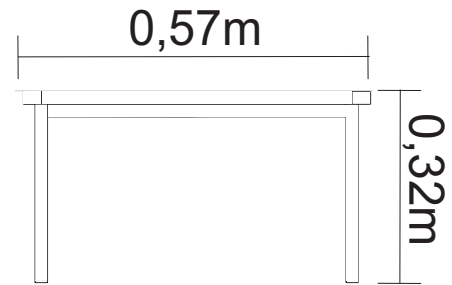
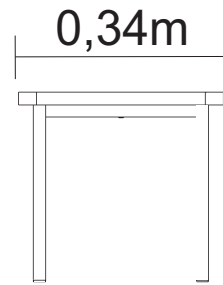
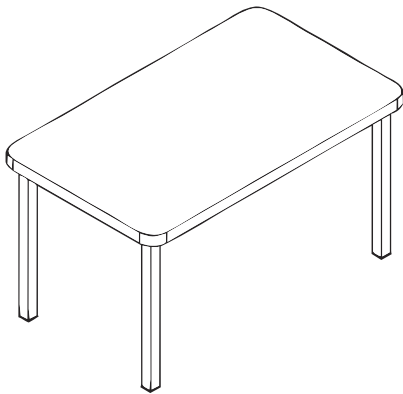
www.3bscientific.com



Weight 9,2 Kg

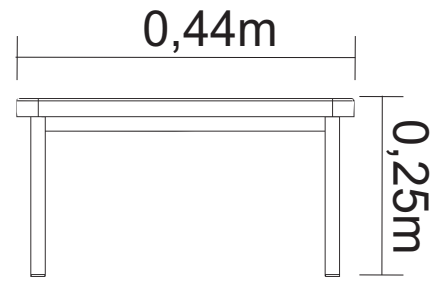
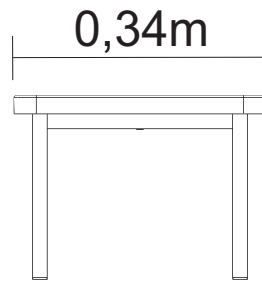
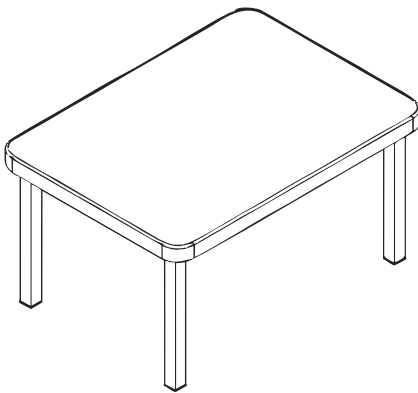


01



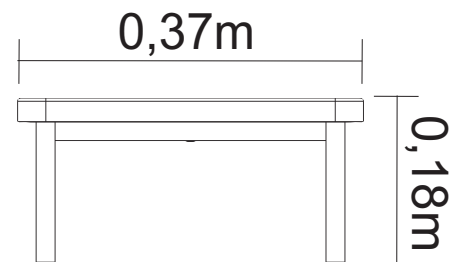
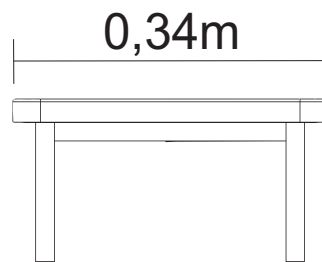
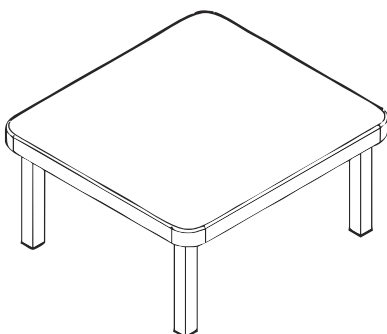
3,66 kg

02



3,01 kg

03



2,35 kg